

APN



FAAC

Worldwide Market Access



STATEMENT OF CONFORMITY TO STANDARDS
No. 89668SOCSTD

ATTESTATO DI CONFORMITA' ALLE NORME
N° 89668SOCSTD

Equipment <i>Apparato</i>	Anti-panic break-out system for powered pedestrian door leaf and side screen model 930SNF – 930SNFA – 940SM – 940SMA – A100-Compact <i>Sistema antipanico a sfondamento per ante mobili e semifisse per porte pedonali automatiche modello 930SNF – 930SNFA – 940SM – 940SMA – A100-Compact</i>
Applicant <i>Richiedente</i>	FAAC SpA Via Benini, 1 – 40069 ZOLA PREDOSA ITALY
Manufacturer <i>Costruttore</i>	FAAC SpA Via Benini, 1 – 40069 ZOLA PREDOSA ITALY
Model/type <i>Modello / Tipo</i>	APN
Ratings <i>Dati tecnici</i>	--
Additional information <i>Informazioni aggiuntive</i>	--
Variants <i>Varianti</i>	APN1 – 1 leaf APN2 – 2 leaves APN1+1 – 1 leaf and 1 side screen APN2+2 – 2 leaves and 2 side screens
The tested equipment was found complying the requirements of the standard(s) <i>L'apparato provato è risultato conforme alla(e) norma(e)</i>	DIN 18650-1:2005 Sub-clause 5.8.3.3 Powered doors with break-out (Additional requirements for doors in escape routes and emergency exits) DM 10-3-1998 n°64 Allegato III – Misure relative alle vie di uscita in caso di incendio – Punto 3.11 – Porte scorrevoli e porte girevoli
Results of performed tests are shown in the test report(s) <i>I risultati delle prove eseguite sono riportati nel(i) rapporto(i) di prova</i>	Nemko Spa 89668TRFSAF issued 2007-07-20

This Statement of Conformity to Standards refers to the tested sample(s), does not involve production surveillance and does not allow the use of the Nemko mark on the product.
Questo Attestato di Conformità alle Norme si riferisce al campione(i) provato(i), non include la sorveglianza della produzione e non permette l'apposizione del marchio Nemko sul prodotto.

Date of issue: **2007-07-20**
Data di emissione

Nemko S.p.A.
Certification Dpt.

Alberto Reati

This document is composed by 1 page
Questo documento è composto da 1 pagina

Nemko Spa
Via del Carroccio 4
I - 20046 Biassono (MI)

T +39 03922012.01 r.a.
F +39 0392201221



www.nemko.com
www.nemko.it

INDEX

1 DESCRIPTION AND TECHNICAL SPECIFICATIONS	3
1.1 APPLICATION LIMITS	3
1.2 DESCRIPTION OF COMPONENTS	3
1.3 ANTI-PANIC PARTS.....	4
1.4 INSTALLATION VERIFICATION FOR APN1 - APN2	4
1.6 DETERMINING LEAF HEIGHT ON 940	5
1.7 DETERMINING LEAF HEIGHT ON 930	6
1.8 DETERMINING LEAF HEIGHT ON A100 Compact.....	7
2 INSTALLATION ON MOBILE LEAF.....	8
2.1 DETERMINING THE SLIDING GUIDE.....	10
3 INSTALLATION ON SEMI-FIXED LEAF.....	10
4 APPLICATION OF SHIMS TO THE MOBILE LEAF GLASS PANEL.....	11
5 INSTALLATION OF THE PHOTOCELL (only for applications with mobile leaf break-out).....	11
6 INSTALLATION OF THE MAGNETIC CONTACT (only for applications with mobile and semi-fixed leaf break out).11	

ENGLISH

WARNINGS

- Important! For the safety of people, it is important that all the instructions be carefully observed.
- Incorrect installation or incorrect use of the product could cause serious harm to people.
- Carefully read the instructions before beginning to install the product and keep them for future reference.
- The symbol  indicates notes that are important for the safety of persons and for the good condition of the automated system.
- The symbol  draws your attention to the notes on the characteristics and operation of the product.

APN

1. DESCRIPTION AND TECHNICAL SPECIFICATIONS

These instructions apply to the anti-panic break-out systems APN1 (one mobile leaf), APN2 (two mobile leaves), APN1 + 1 (one mobile and one semi-fixed leaf) and APN2 + 2 (two mobile and two semi-fixed leaves) installed on the following automated system models:

940 SM-SMD - 940 SMA-SMDA - 930N SF-SFA
A100 Compact



Carefully read the instructions before beginning to install the product.

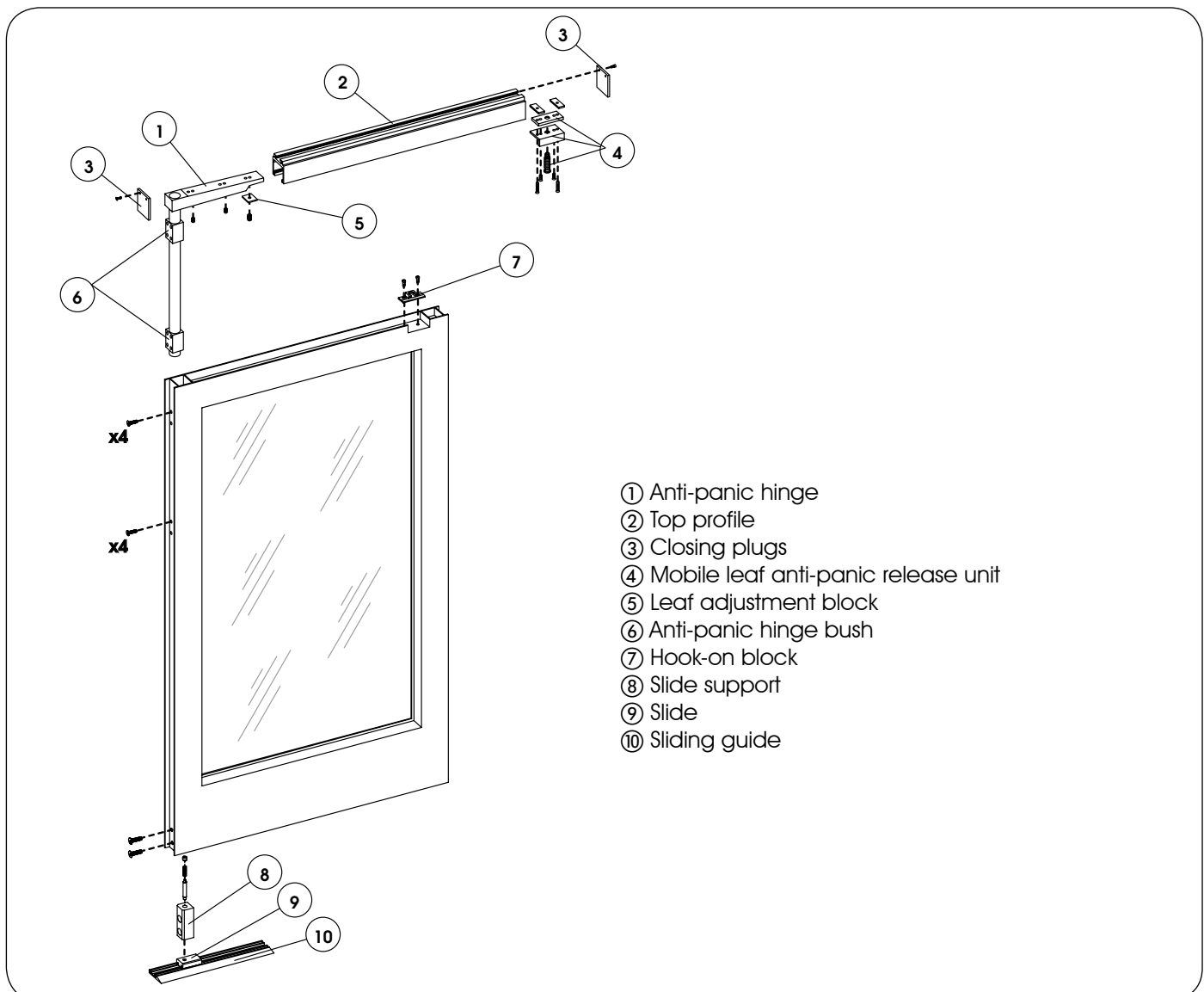


For the APN1 OR APN2 system, check if the prescriptions in fig. 2 are applicable.

1.1 APPLICATION LIMITS

Max leaf length (mm)	500 ÷ 700	750 ÷ 950	1000 ÷ 1200	H max
Max leaf weight excluding anti-panic system (Kg)	90	80	75	2500mm

1.2 DESCRIPTION OF COMPONENTS



- ① Anti-panic hinge
- ② Top profile
- ③ Closing plugs
- ④ Mobile leaf anti-panic release unit
- ⑤ Leaf adjustment block
- ⑥ Anti-panic hinge bush
- ⑦ Hook-on block
- ⑧ Slide support
- ⑨ Slide
- ⑩ Sliding guide



The systems can be adapted to fit all profiles on the market (we advise you to use the 'oversize' series).



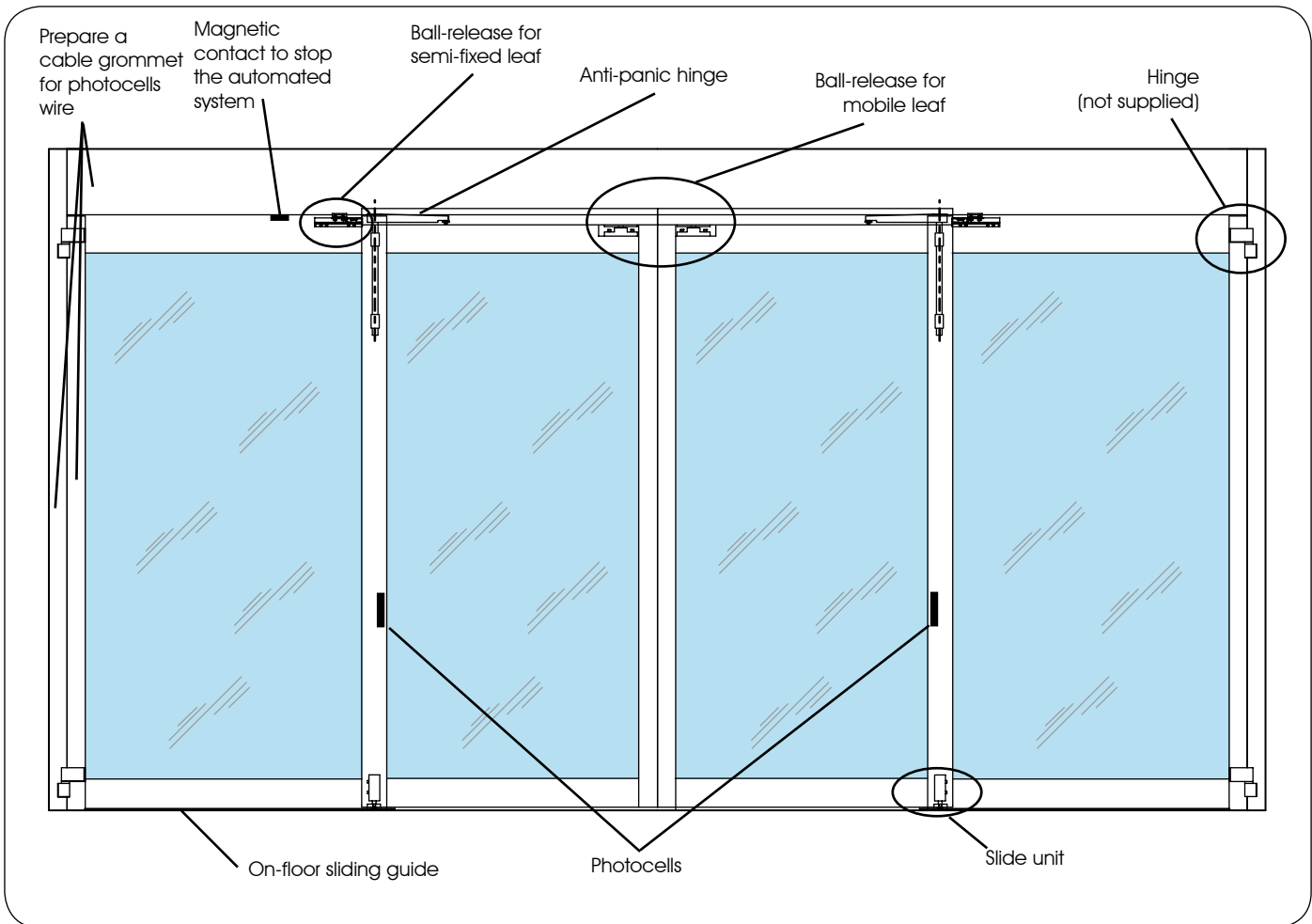
The dimensions used in this manual are in mm.

The cut angle of the mobile leaf profiles must always be 90°.

The carriages shown in the instructions are purely examples; the indications should be considered valid irrespective of the automated system being used.

To position and adjust the components of the automated systems, please refer to the specific instructions.

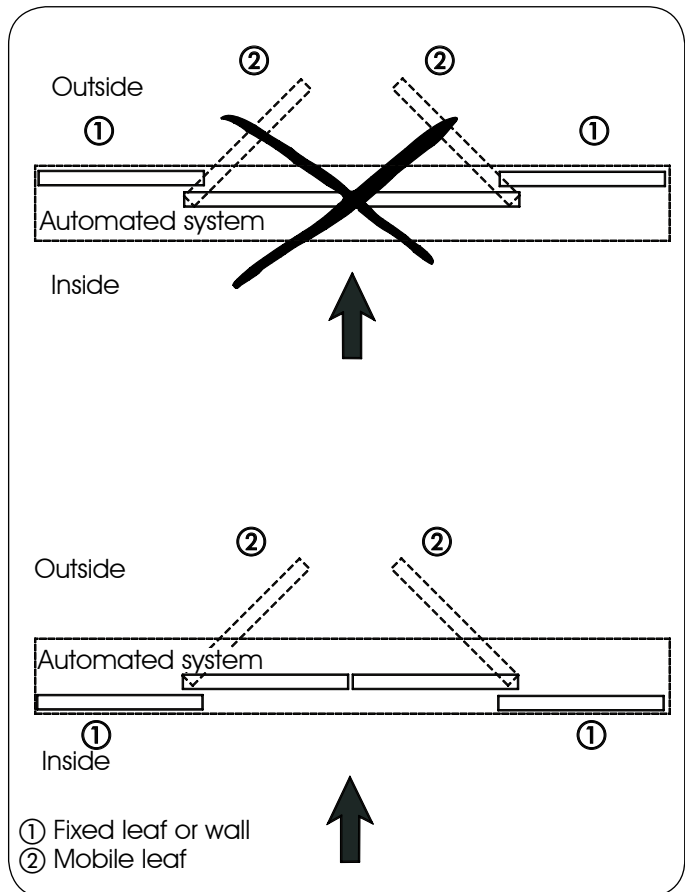
1.3 ANTI-PANIC PARTS



ENGLISH

1.4 INSTALLATION VERIFICATION FOR APN1 - APN2

The APN1 or APN2 anti-panic device is used for break-out through mobile leaves only. In this configuration, the cross-piece must be installed on the outside (avoiding direct exposure to rainwater or atmospheric agents) in order to prevent the break-out of the sliding leaves interfering with the fixed parts (leaves or walls) - as shown in figure 3.

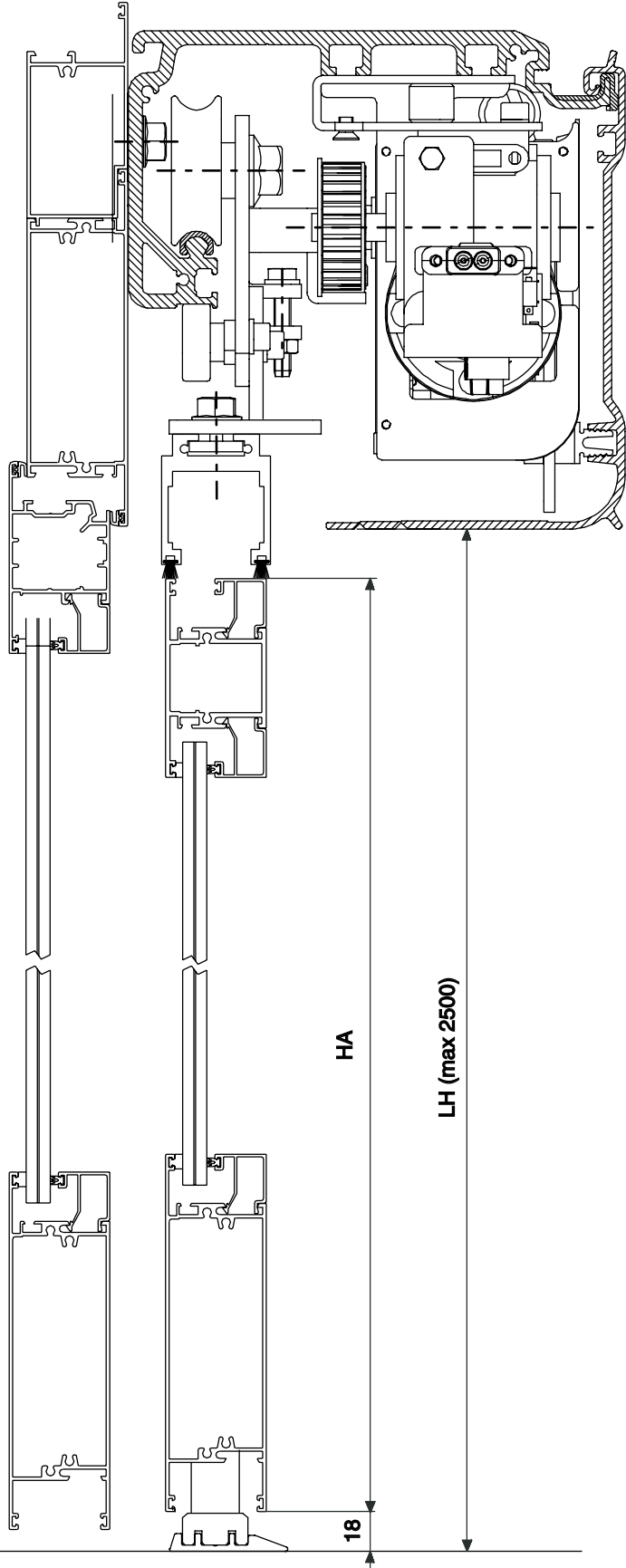
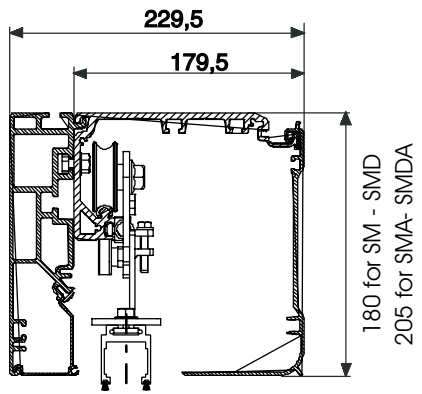


1.6 DETERMINING LEAF HEIGHT ON 940

 **HA** is the leaf height
LH is height off the floor level with lower side of the housing.

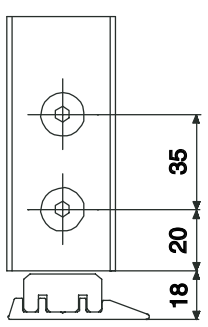
ENGLISH

940 SM-SMD and 940 SMA-SMDA



940 SM-SMD
 $HA=(LH - 50) \pm 10$

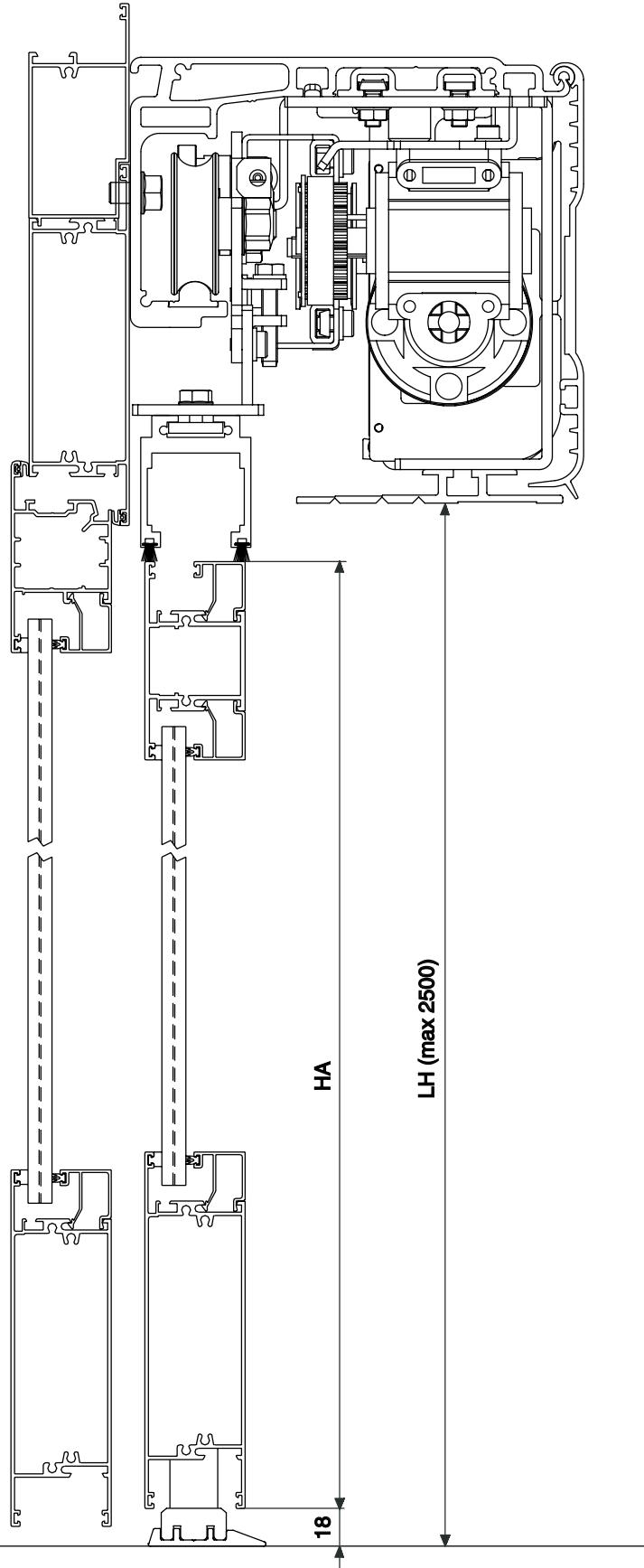
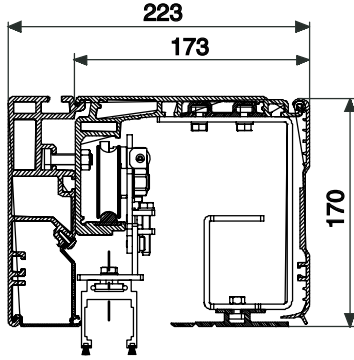
940SMA-SMDA
 $HA=(LH - 45,3) \pm 10$



1.7 DETERMINING LEAF HEIGHT ON 930

 HA is the leaf height
LH is height off the floor level with lower side of the housing.

930N SF-SFA



930N SF-SFA
 $HA = (LH - 51,2) \pm 10$

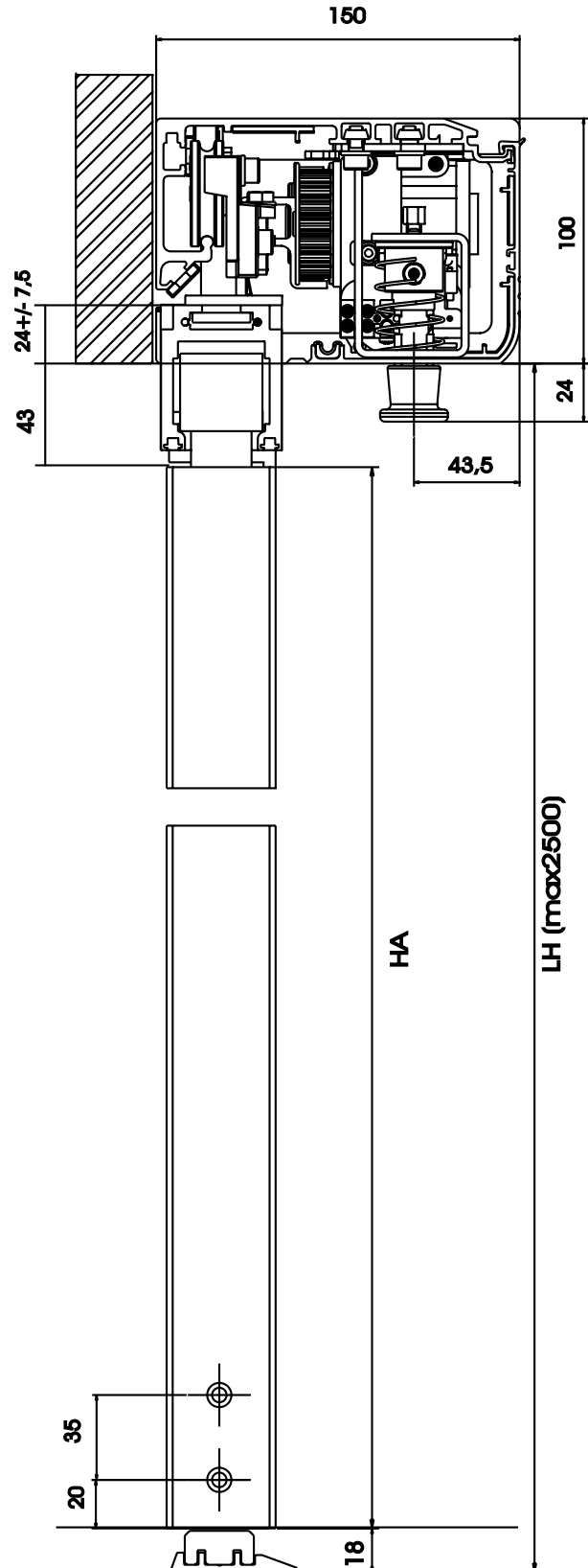
ENGLISH

1.8 DETERMINING LEAF HEIGHT ON A100 Compact

 **HA** is the leaf height
LH is height off the floor level with lower side of the housing.


ENGLISH

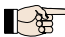
A100 Compact

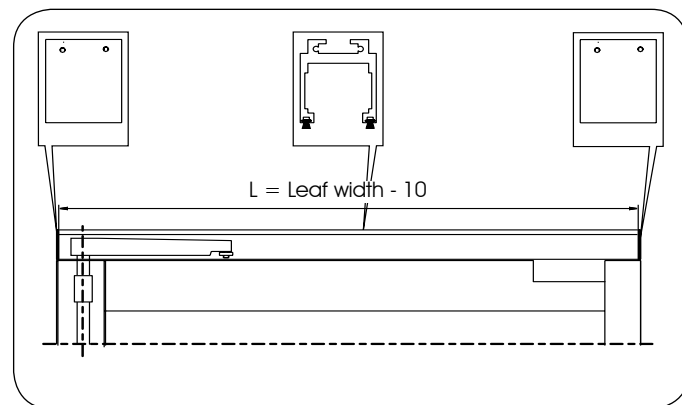
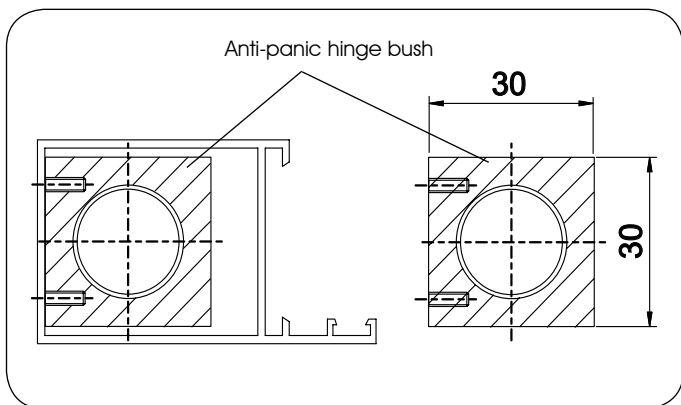


A100 Compact
 $HA = LH - (43 + 18) \pm 7.5 \text{mm}$

2. INSTALLATION ON MOBILE LEAF

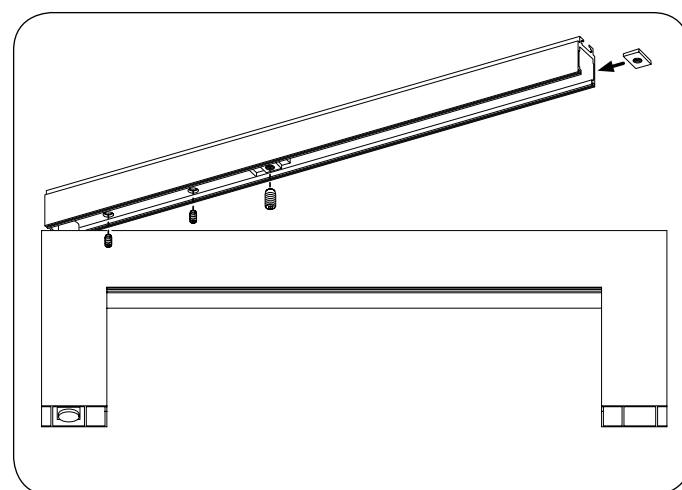
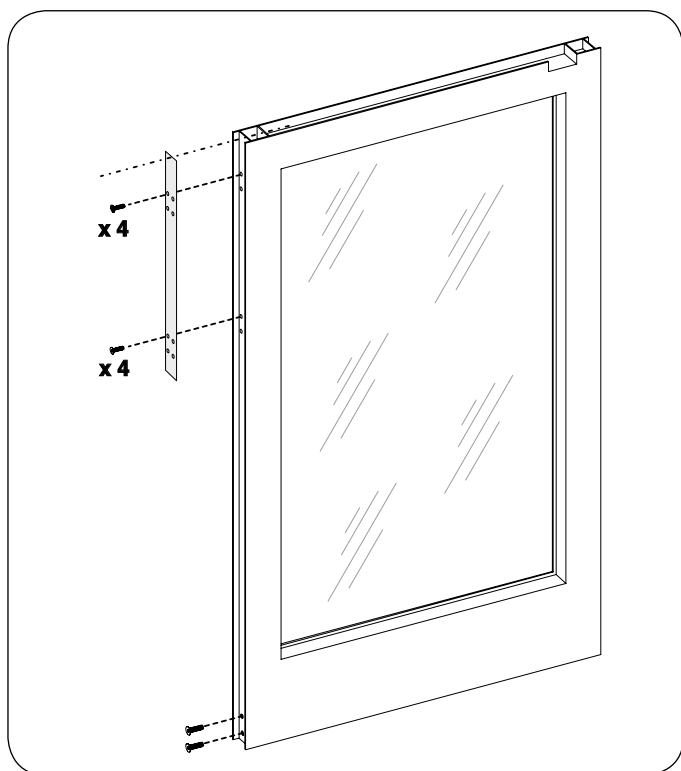
 Use profiles with the internal section of the upright at least 30x30 mm, to enable the anti-panic hinge and the slide to be housed internally.

 Cut the top profile by a length L equal to the width of the leaf less 10 mm (to create housing for the 2 closing plugs).

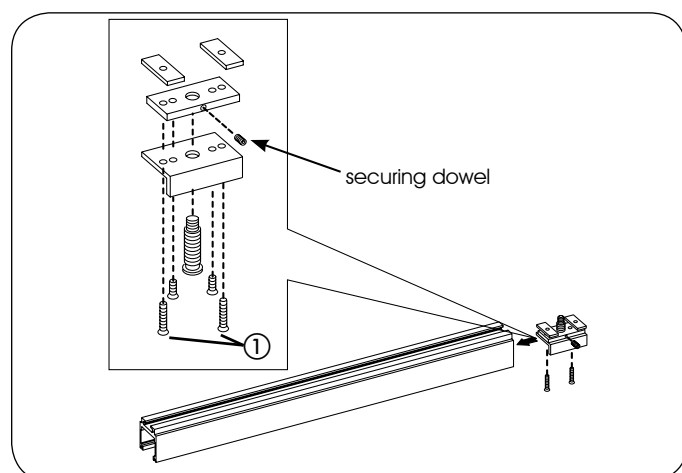
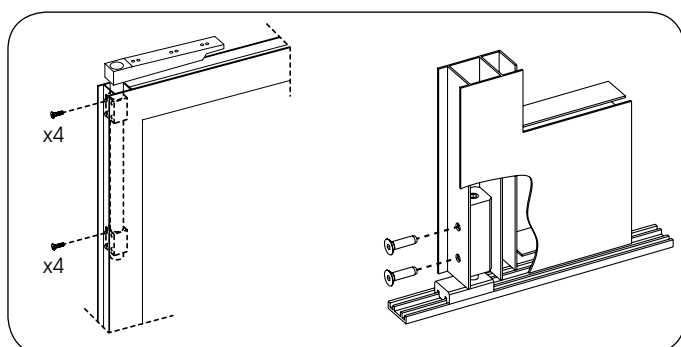


Drill the holes on the external upright of the mobile leaf, using the supplied template as shown in fig. 7, and then secure the anti-panic hinge and the slide unit, using the supplied screws (fig. 8).

Insert the top profile on the hinge; next, insert the leaf adjustment block in the profile as shown in fig. 10, and fit the three supplied dowels.

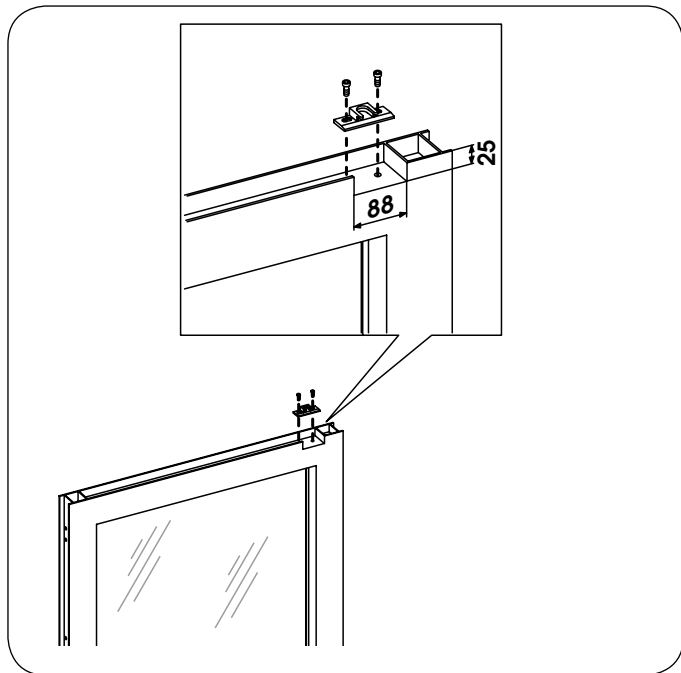


Insert the mobile leaf release unit in the top profile, as shown in fig. 11 and provisionally fasten the screws, ref. ①.



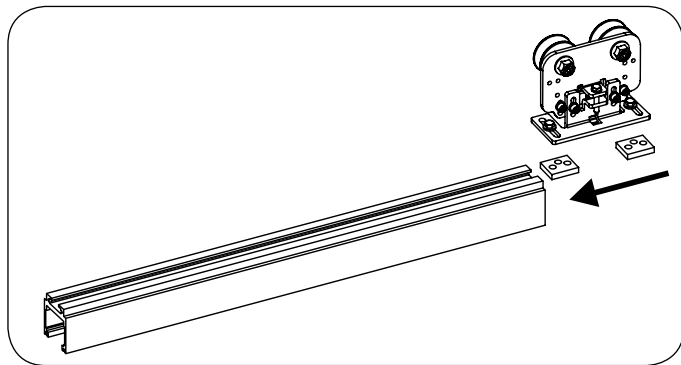
ENGLISH

If necessary, cut the leaf profile as shown in fig. 12, and secure the hook-on block with the two supplied screws. Loosen the two securing screws of the anti-panic release unit (fig. 11 ref.①) and couple it with the block you have just fastened.

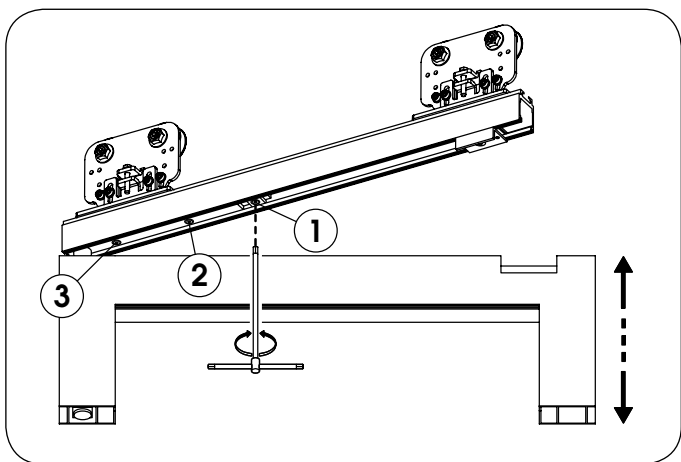


Install the carriages on the top profile as shown in fig. 13 (the figure shows the carriages of the 940 model). When you have finished the job, position the leaf on the automated system.

To position the carriages, refer to the specific instructions for the individual automated doors.



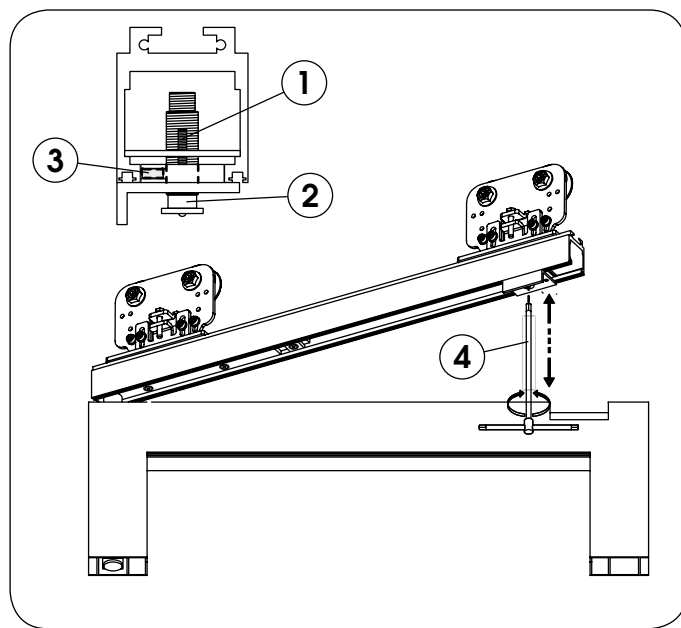
Adjust height with the dowel ①. Tighten the locking dowels ② and ③ to lock the adjustment.



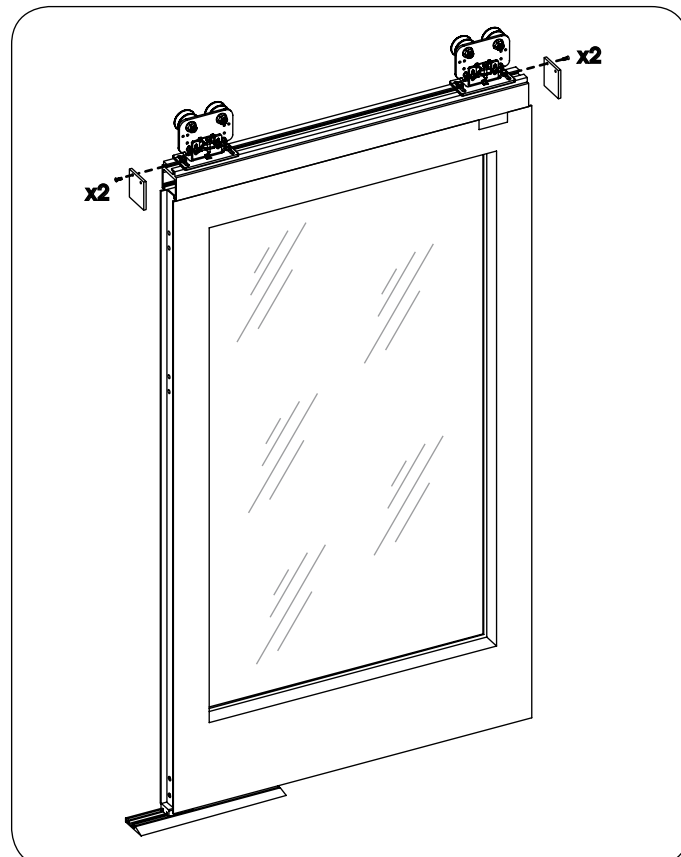
Referring to the figure below, adjust the height of the anti-panic release (ref. ②) in order to enable correct coupling with the hook-on block (fig. 12). Withdraw the anti-panic release unit from the top profile, tighten the securing dowel (ref. ③), and then secure the release unit to the top profile, tightening the two screws ref.①.

Insert a hexagon Allen wrench (ref. ④) in the appropriate hole of the release unit, in order to adjust the hardness of the mobile leaf release unit.

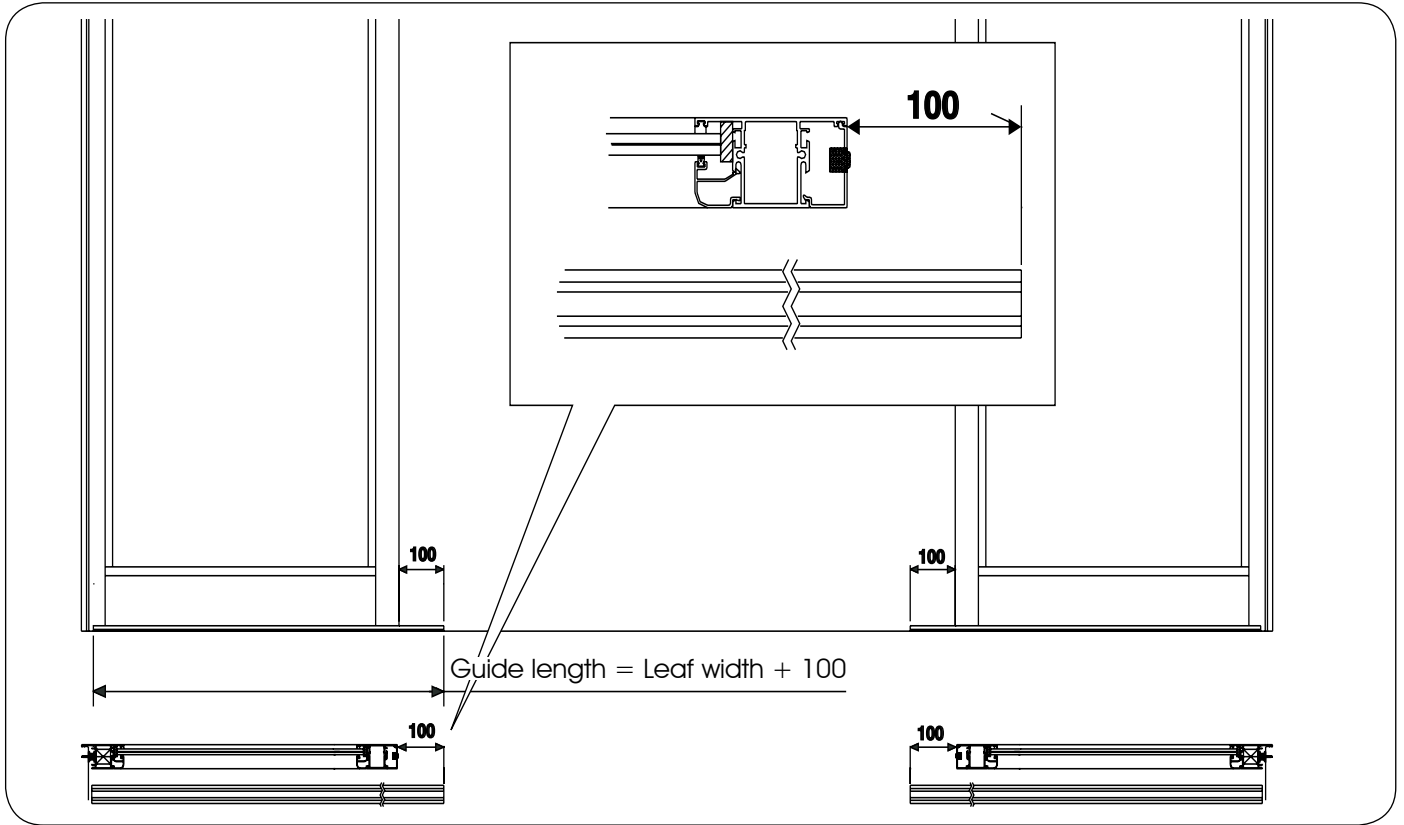
To facilitate tightening the dowel, you may drill a hole in the top profile at the dowel location point.



Install the closing plugs, using the supplied screws as shown in fig. 16.



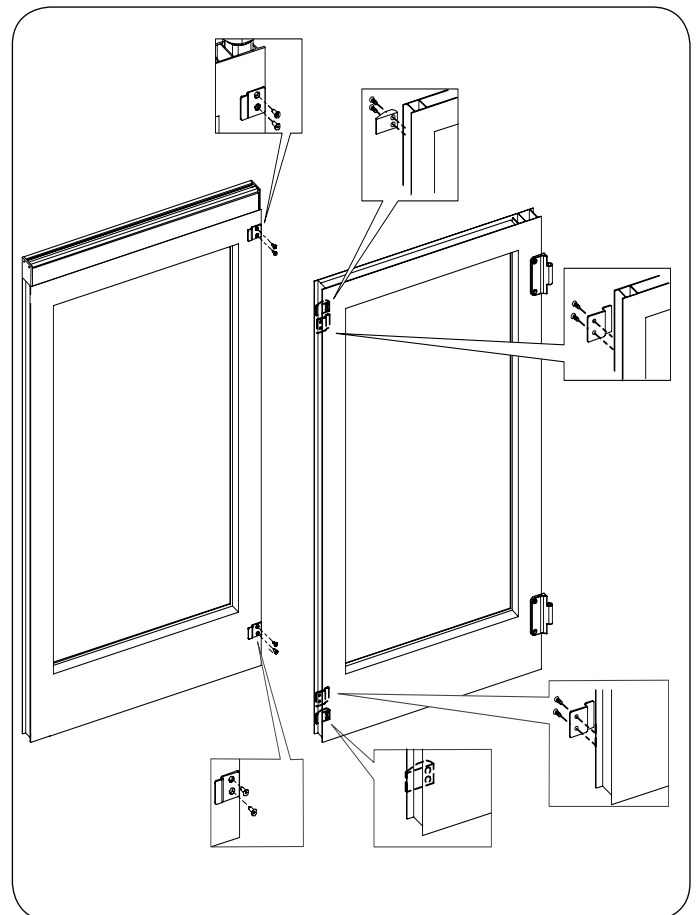
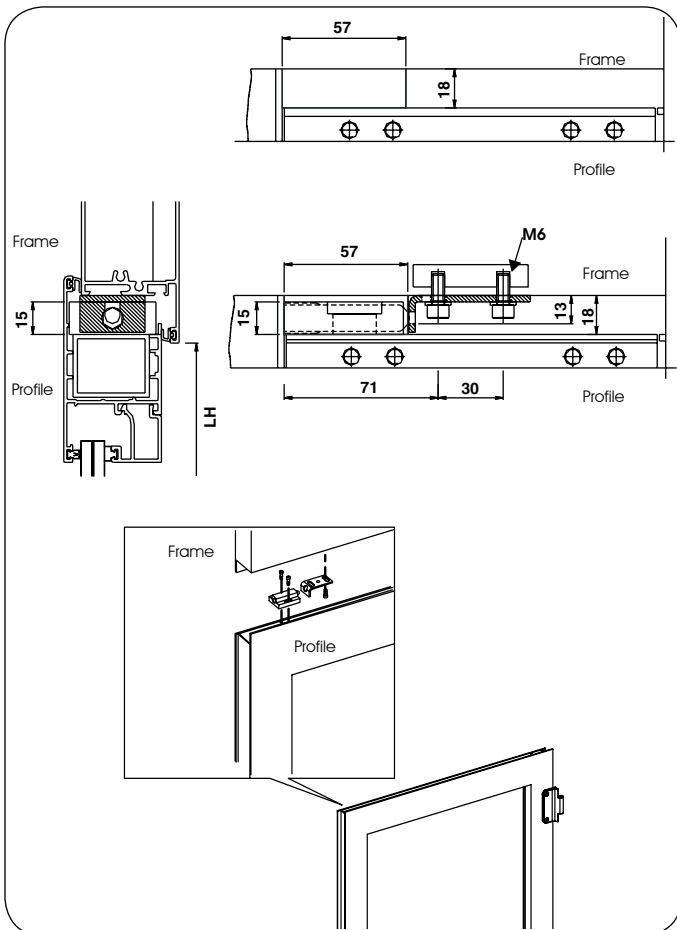
2.1 DETERMINING THE SLIDING GUIDE



3 INSTALLATION ON SEMI-FIXED LEAF

Install the semi-fixed leaf release as shown in the figure below.


Install the spacers and hook-on elements on the mobile and semi-fixed leaves as shown in the figure below.

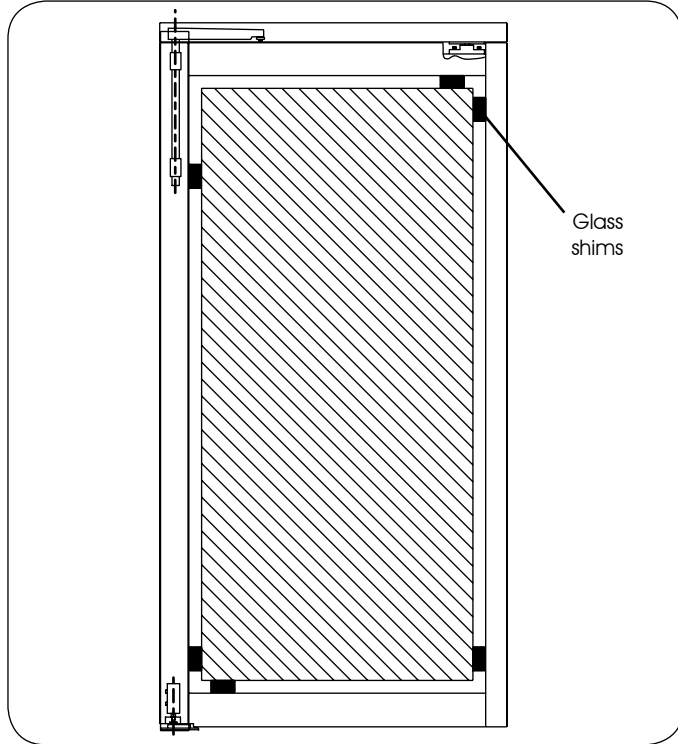


ENGLISH

4 APPLICATION OF SHIMS TO THE MOBILE LEAF GLASS PANEL

Apply shims to the glass panel of the mobile leaf as shown in the figure below.

 **Make the glass panel thicker so that it is perfectly secured inside the cavity of the door frame.**

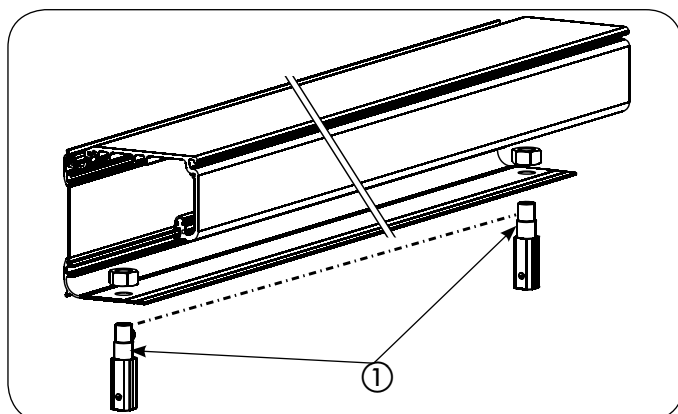


5 INSTALLATION OF THE PHOTOCELL (only for applications with mobile leaf break-out)

Drill a 23mm diam. hole at the two ends of the automated system's housing (the figure shows that of the 940 model) so that you can use them to screw-fasten the two photocell supports (ref. ① in the figure) taking care to align them. Insert inside the photocell supports.

To fit the cable grommet, refer to fig. 2 on page 3.

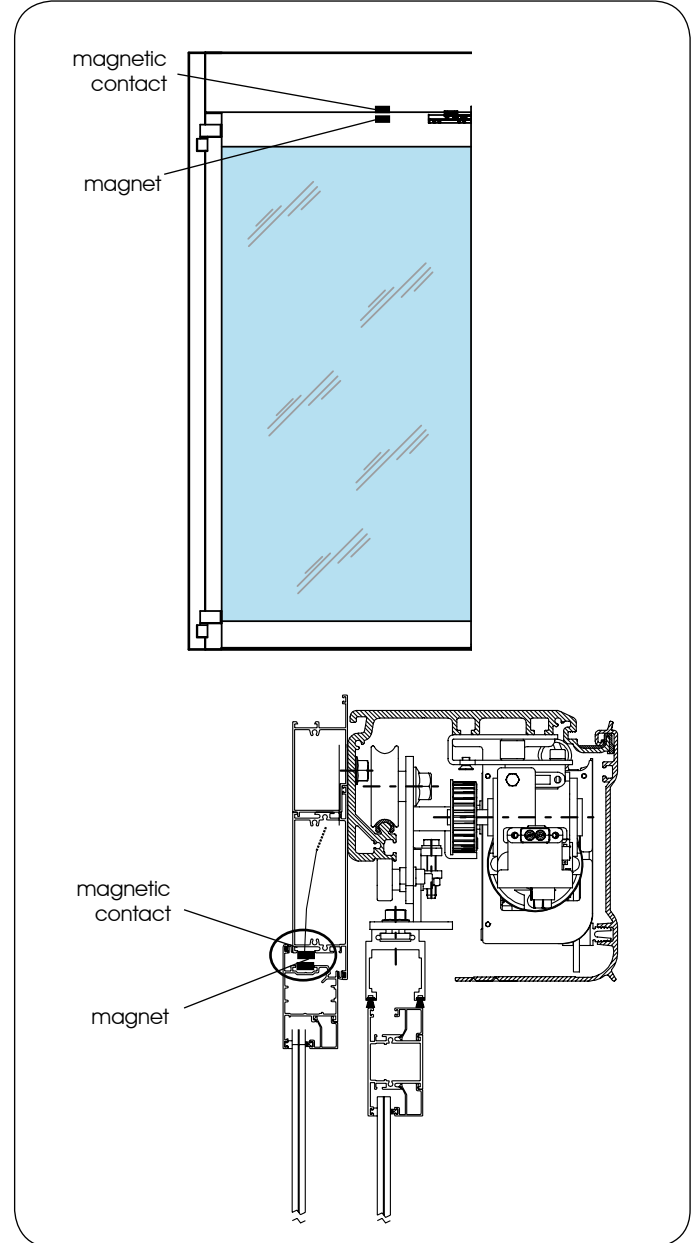
Connect the transmitter and receiver of the photocells to the board controlling the automatic door, taking care to connect the receiver's contact to the appropriate STOP input (refer to the specific instructions of the automatic door).



6 INSTALLATION OF THE MAGNETIC CONTACT (only for applications with mobile and semi-fixed leaf break out)

Install the magnetic contact on the door frame and the magnet on the profile of the semi-fixed leaf.

Next, connect the magnetic contact on the control board of the automatic door, in the appropriate STOP input (refer to the specific instructions of the automatic door).



Le descrizioni e le illustrazioni del presente manuale non sono impegnative. La FAAC si riserva il diritto, lasciando inalterate le caratteristiche essenziali dell'apparecchiatura, di apportare in qualunque momento e senza impegnarsi ad aggiornare la presente pubblicazione, le modifiche che essa ritiene convenienti per miglioramenti tecnici o per qualsiasi altra esigenza di carattere costruttivo o commerciale.

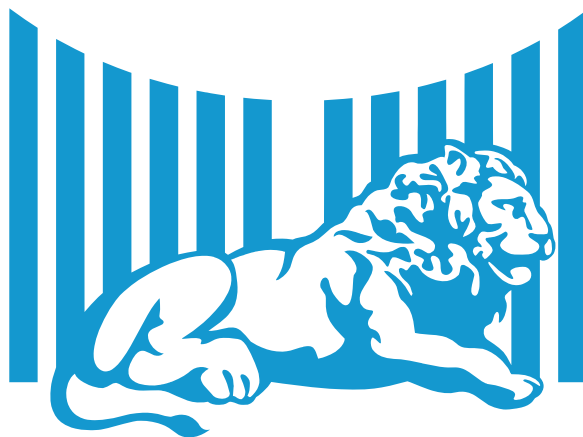
The descriptions and illustrations contained in the present manual are not binding. FAAC reserves the right, whilst leaving the main features of the equipments unaltered, to undertake any modifications it holds necessary for either technical or commercial reasons, at any time and without revising the present publication.

Les descriptions et les illustrations du présent manuel sont fournies à titre indicatif. FAAC se réserve le droit d'apporter à tout moment les modifications qu'elle jugera utiles sur ce produit tout en conservant les caractéristiques essentielles, sans devoir pour autant mettre à jour cette publication.

Die Beschreibungen und Abbildungen in vorliegendem Handbuch sind unverbindlich. FAAC behält sich das Recht vor, ohne die wesentlichen Eigenschaften dieses Gerätes zu verändern und ohne Verbindlichkeiten in Bezug auf die Neufassung der vorliegenden Anleitungen, technisch bzw. konstruktiv/kommerziell bedingte Verbesserungen vorzunehmen.

Las descripciones y las ilustraciones de este manual no comportan compromiso alguno. FAAC se reserva el derecho, dejando inmutadas las características esenciales de los aparatos, de aportar, en cualquier momento y sin comprometerse a poner al día la presente publicación, todas las modificaciones que considere oportunas para el perfeccionamiento técnico o para cualquier otro tipo de exigencia de carácter constructivo o comercial.

De beschrijvingen in deze handleiding zijn niet bindend. FAAC behoudt zich het recht voor op elk willekeurig moment de veranderingen aan te brengen die het bedrijf nuttig acht met het oog op technische verbeteringen of alle mogelijke andere productie- of commerciële eisen, waarbij de fundamentele eigenschappen van de apparaat gehandhaafd blijven, zonder zich daardoor te verplichten deze publicatie bij te werken.



FAAC

FAAC S.p.A.

Via Benini, 1
40069 Zola Predosa (BO) - ITALIA
Tel. 0039.051.61724 - Fax. 0039.051.758518
www.faac.it
www.faacgroup.com

