

940 SM

for single leaf, double leaf, and telescopic continuous service sliding doors



Worldwide Market Access		Nemko
STATEMENT OF CONFORMITY TO TECHNICAL SPECIFICATION No. 54911-1SOCSPEC		
Equipment	Automated system for sliding pedestrian door	
Applicant	FAAC S.p.A. Via Benini, 1 40069 Zola Pedrosa (BO) ITALY	
Manufacturer	FAAC S.p.A. Via Benini, 1 40069 Zola Pedrosa (BO) ITALY	
Model/type	940 SM...	
Ratings	230 V – 50 Hz	
Additional information	Single or double motor – Single or double leaf door activation	
Variants	<ul style="list-style-type: none"> - Series 940 SM (single motor – SM1, one leaf – SM2, two leaves) - Series 940 SMD (double motor – SMD1, one leaf – SMD2, two leaves) - Series 940 SMA (single motor, free standing – SMA1, one leaf – SMA2, two leaves) - Series 940 SMDA (double motor, free standing – SMDA1, one leaf – SMDA2, two leaves) 	
The tested equipment was found complying the requirements of the technical specification(s)	Customer request: Life test of the system – 2.000.000 cycles with no maintenance	
Results of performed tests are shown in the test report(s)	Nemko SpA – Order No. 54911TRFSAF dated 2005-06-28	
This Statement of Conformity to Technical Specifications refers to the tested sample(s), does not involve production surveillance and does not allow the use of the Nemko mark on the product.		
Date of issue: 2005-06-29	Nemko S.p.A. Certification Dept. <i>Hoare</i> (Roberto Franza)	
This document is composed by 1 page		
Nemko SpA Via Trieste 6, Trivento, 116 I-20046 Bascosio (MI)	T +39 03922012.01 r.a. F +39 0392753240	www.nemko.com www.nemko.it

The automation is certified for a life test of 2.000.000 cycles with no maintenance

Have no fear of time

The automated system for sliding doors FAAC 940 SM, provides performance guaranteed long-term, thanks to its high-tech content.

In fact, the performances of the entire FAAC 940 SM series are guaranteed by the quality of the chosen mechanical and electro-mechanical components, but, above all, by 2,000,000 opening and closing operations. That's why people who "want to make sure" choose FAAC 940 SM.

Maximum versatility

The 940 SM series offers high use versatility. It is suitable for sliding doors with single leaf with a maximum weight of 250 kg, or for double leaf having a single leaf maximum weight of 180 kg. The 940 SM series has no use frequency limits, and, even in case of a blackout, 100% operation is guaranteed, for thirty minutes, by the (optional) buffer batteries with controlled charging facility. Any faults are signalled by the SD-KEEPER functions keypad, with which you can also select the function logic.

Works in complete safety

The "self-learning" function of the anti-crushing system at opening/closing, sets the movement according to the size of the door frame. In this way, the 940 SM series automated systems can operate in absolute safety, observing the new European standards. Behaviour, in case an obstacle is detected, differs in opening and closing. In the after-impact situation, the obstacle clearance check is always performed at slower speed.

Simplified installation

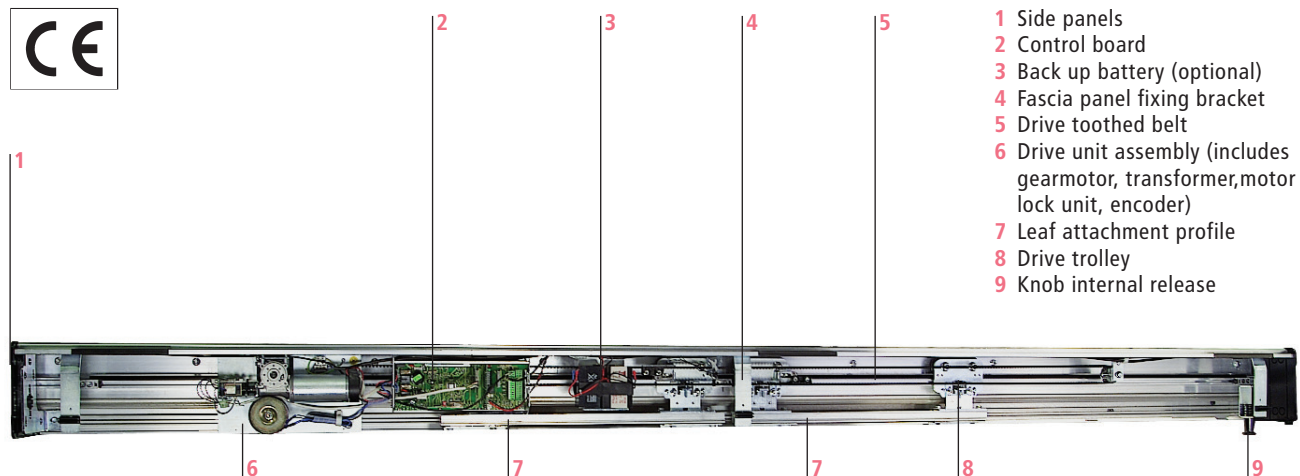
The 940 SM series is easy to assemble and install. It was created and designed to be self-assembled and installed in order to optimise assembly times. All this is made possible by: generous work space, facilitated carriage/belt attachment, the motor unit concept, and the stroke limit sensors fitted on the bearing profile. On top of that, the extraordinary housing, simple to install and easy to manoeuvre by just one operator, thanks to the in open-position locking device, minimises installation time.



SD Keeper functions keypad

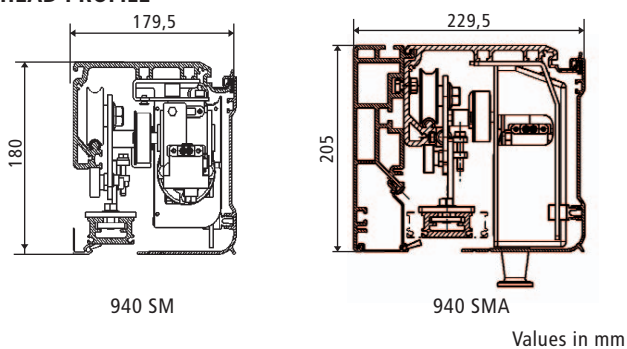


Programming display



- 1 Side panels
- 2 Control board
- 3 Back up battery (optional)
- 4 Fascia panel fixing bracket
- 5 Drive toothed belt
- 6 Drive unit assembly (includes gearmotor, transformer, motor lock unit, encoder)
- 7 Leaf attachment profile
- 8 Drive trolley
- 9 Knob internal release

HEAD PROFILE



940 SM

940 SMA

Values in mm

Technical specifications	940 SM
Power supply	230 Vac (+6% -10%) 50 (60) Hz
Absorbed power	100 W
Use frequency	100%
Drive unit	24 Vdc motor with encoder
Head profile length LT	VP x 2 + 100 mm
Drive	electro conductive toothed belt
Opening/closing speed	adjustable (two leaves) 20÷180 cm/s
Emergency opening/closing speed	adjustable
Pause times	adjustable from 0 to 30 s
Static force	150 N (self-learning adjustment)
Partial opening	adjustable (two leaves) from 10%÷90% total opening
Anti-crush device	standard
Photocells fail safe	standard (can be disabled)
Protection class	IP 23 (for indoor use only)
Operating ambient temperature	-20°C ÷ +55°C

PROGRAMMING DISPLAY

Main functions

Access password insertion	Opening speed adjustment
Closing speed adjustment	Anti-crush adjustment
Pause time adjustment	Anti-crush function management
Diagnostic visualisation	Weekly calendar management
Interlock management with or w/o memory	
Operating functions selection with battery in use	
Output configuration (3 outputs) on 940 SDM control board	
Emergency input configuration (2 inputs) on 940 SDM control board	
Timer function by mean of back-up battery	
Cycle counter visualization	
Daily time bands (5) management	

SD KEEPER FUNCTIONS KEYBOARD (standard)

Available programs

Manual	Open
Automatic	Partial opening
One way	Night
Reset	
Self-diagnosis by mean of leds	
Operation inhibition by wire link or push buttons combination	
Provision for programming display connection	

Accessories

Miniswitch GLS photocell
Passive infrared sensor
Microwave radar
T20/T21 key-operated push-buttons, wall and flush mounting, with emergency release devices
Leaf securing profiles for glass
Electro-mechanical lock with internal release device
Padlock surveillance with possibility of visual or acoustic signal in case of malfunction
Emergency batteries with recharging card. Guarantee a 30 minute range of continuous duty

Automatic adjustments

Open and closed positions recognition
Measurement of leaves weights and friction
Selection of optimal speed, acceleration and deceleration
Photocell test

Model	Use			
	Leaf	Transit space (mm)	Leaf max weight (kg)	Self-supporting
940 SM1	single	700÷3.000	140	NO
940 SM2	double	800÷3.000	110 + 110	NO
940 SMA1	single	700÷3.000	140	YES (max 3.000)
940 SMA2	double	800÷3.000	110+110	YES (max 3.000)
940 SMD1	single	700÷2.900	250	NO
940 SMD2	double	800÷3.000	180 + 180	NO
940 SMDA1	single	700÷2.900	250	YES (max 3.000)
940 SMDA2	double	800÷3.000	180 + 180	YES (max 3.000)
940 SMT2	single telesc.	1.100÷3.000	110 + 110	NO
940 SMT4	double telesc.	1.400÷4.000	60+60+60+60	NO
940 SMTA2	single telesc.	1.100÷3.000	110 + 110	YES (max 3.000)
940 SMTA4	double telesc.	1.400÷4.000	60+60+60+60	YES (max 3.000)